



**FACSIMILE EQUIPMENT**

**PARTS REFERENCE LIST**

**MODEL: MFC580**

**( For Germany / United Kingdom / France /  
Belgium / Netherlands /  
Switzerland / Ireland / Denmark /  
Austria / Spain / Italy / Euro Generic /  
Pan Nordic)**

© Copyright Brother 2001

All rights reserved

No part of this publication may be reproduced in any form  
or by any means without permission in writing from the  
publisher.

Specifications are subject to change without prior notice.

## NOTES FOR USING THIS PARTS REFERENCE LIST

1. In the case of ordering parts, it needs mentioning the following items:

- (1) Code
- (2) Q' ty
- (3) Description

Note: No orders without Parts Code or Tool No. can be accepted.

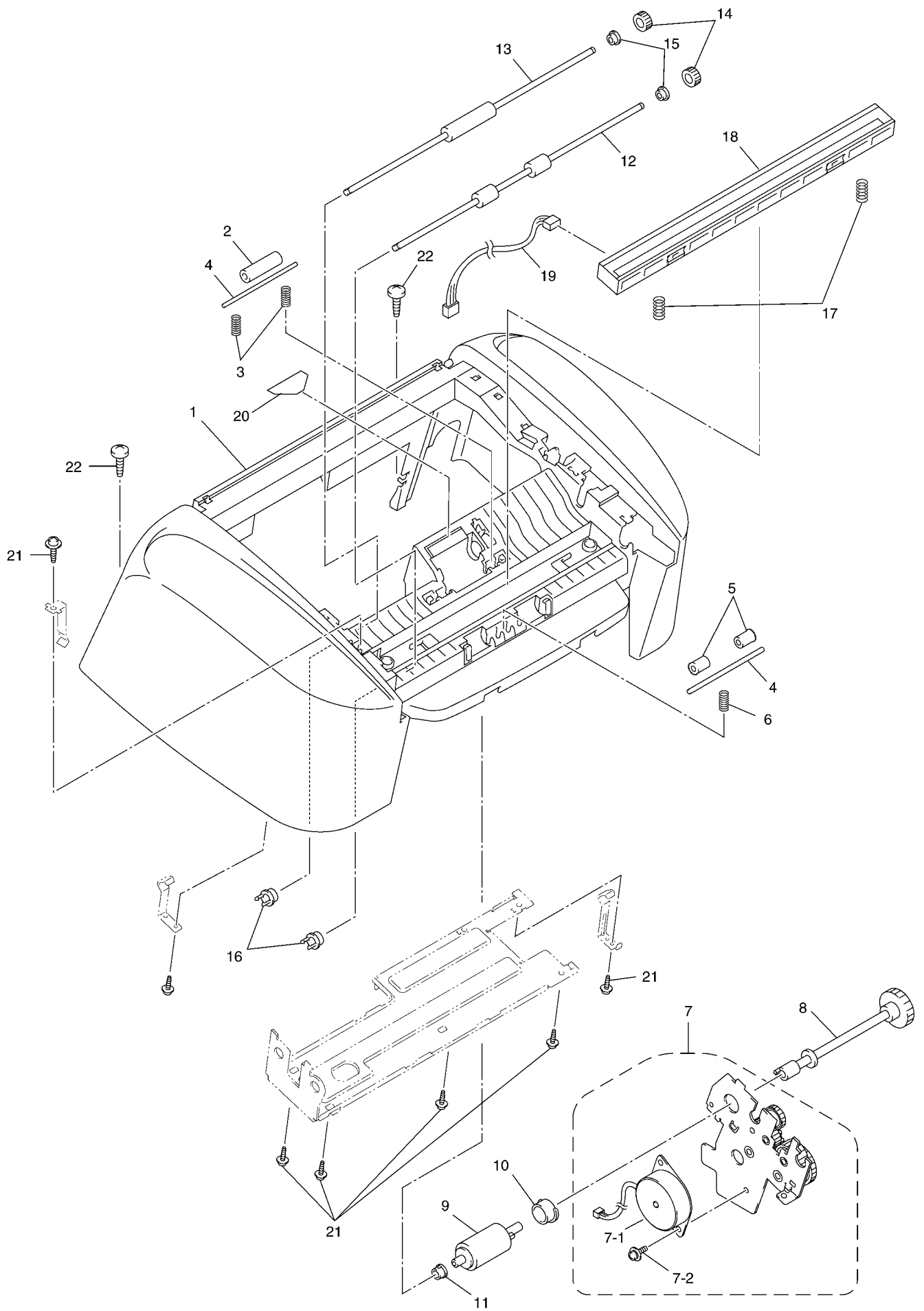
[Example]

REF.NO.	(1) CODE	(2) Q' TY	(3) DESCRIPTION	RECOMMEND	REMARKS

2. Parts change will be informed by the technical information.

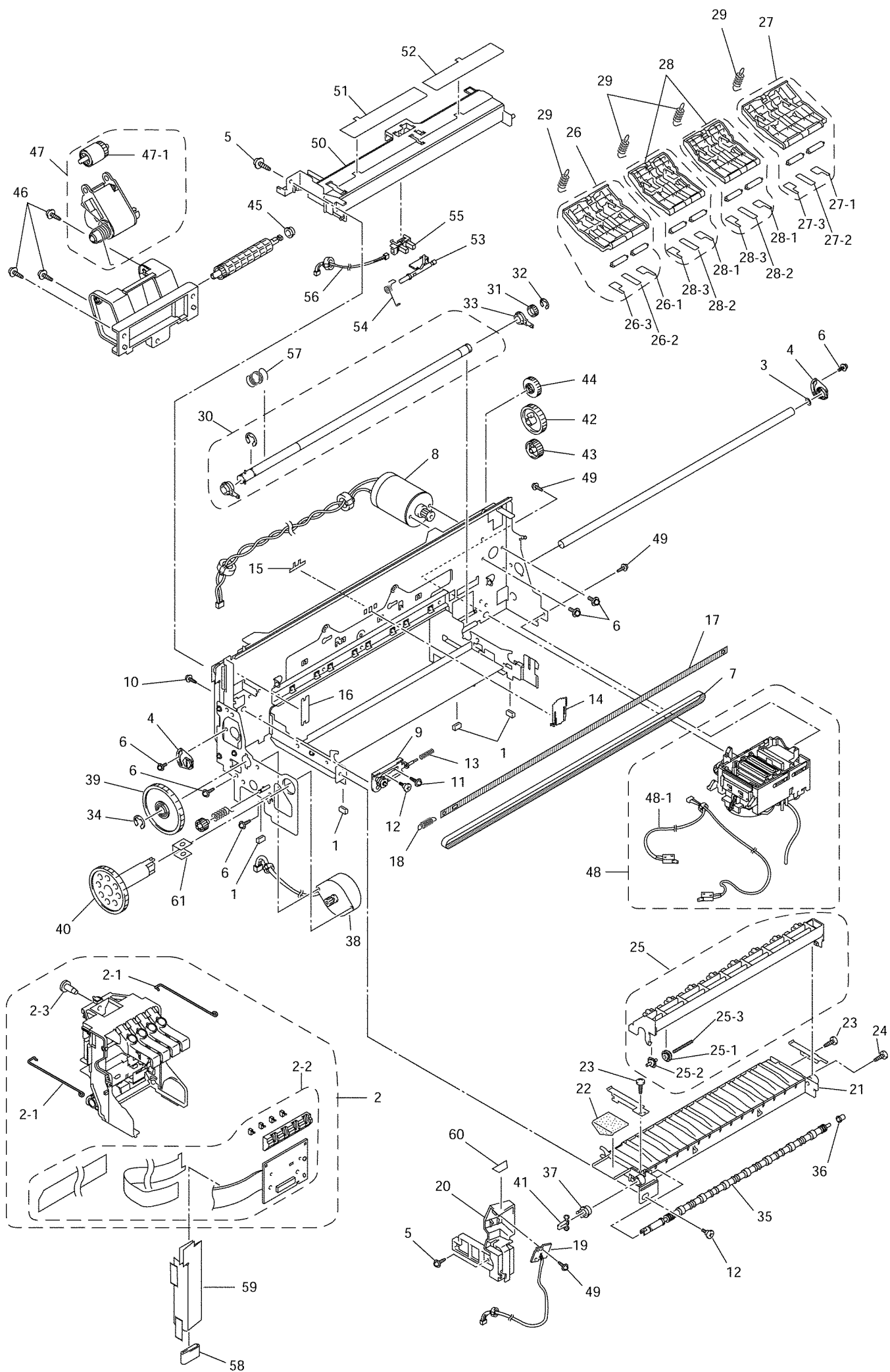
## COUNTRIES

GERMANY ---- GER  
UNITED KINGDOM ---- UK  
FRANCE ---- FRA  
BELGIUM ---- BEL  
NETHERLANDS ---- NLD  
SWITZERLAND ---- CHE  
IRELAND ---- IRE  
DENMARK ---- DEN  
AUSTRIA ---- AUS  
SPAIN ---- SPA  
ITALY ---- ITA  
EURO GENERIC ---- GNR  
PAN NORDIC ---- NOR



## LIST1 (SCANNER)

REF No.	CODE	QTY	DESCRIPTION	RECOMMEND	REMARK
1	LE6124001	1	UPPER COVER, GRAY(1495)		
2	UU0021001	1	PRESSURE ROLLER		
3	LE2472001	2	PRESSURE ROLLER SPRING		
4	LE2471001	2	PRESSURE ROLLER SHAFT		
5	UL6244002	2	PINCH ROLLER		
6	LE6126001	1	PINCH ROLLER SPRING		
7	LE6127001	1	SCANNER DRIVE UNIT		
7-1	LE6130001	1	SCANNER MOTOR		
7-2	0A4300605	1	SCREW, PAN (S/P WASHER) M3X6		
8	UU7030001	1	SEPARATION ROLLER GEAR		
9	UU7031001	1	SEPARATION ROLLER		
10	LE6325001	1	BUSHING 12		
11	LE6326001	1	BUSHING 6		
12	LE6301001	1	DOCUMENT EJECTION ROLLER		
13	LE6302001	1	DOCUMENT FEED ROLLER		
14	UU7039001	2	GEAR 27		
15	UF8105001	2	CONDUCTIVE BUSHING		
16	UF0026001	2	PAWLED PLASTIC BUSHING		
17	UU2028001	2	CIS SPRING		
18	LG3117001	1	CIS UNIT, COLOR	1	
19	LG3118001	1	CIS HARNESS		
20	LE6479001	1	SEPARATION ROLLER FILM		
21	087311016	6	TAPTITE, CUP B M3X10		
22	085411216	2	TAPTITE, BIND B M4X12		



## LIST2(ENGINE)

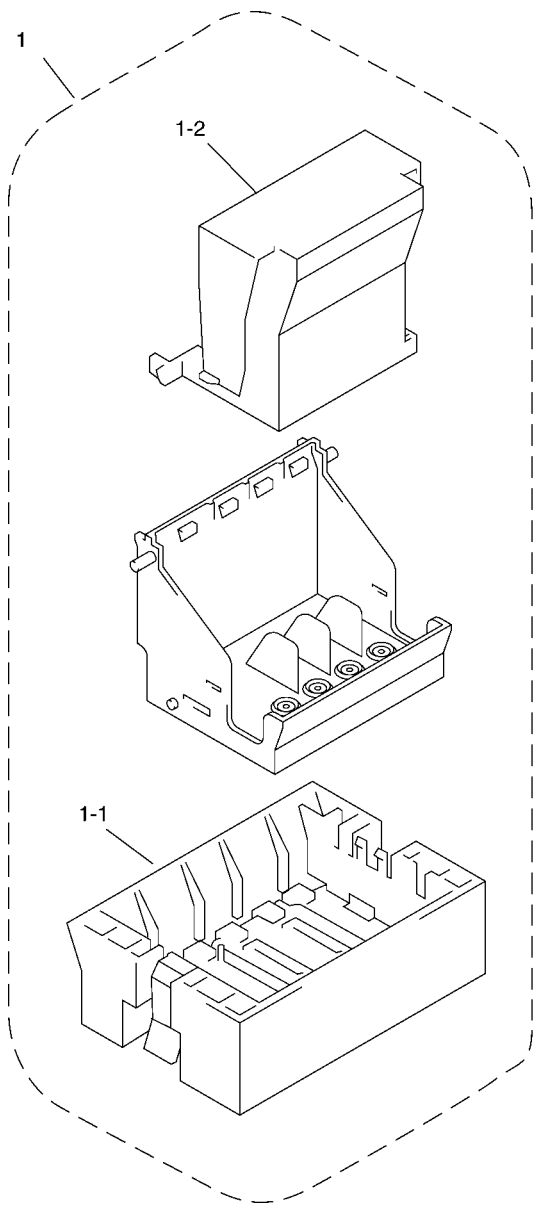
\* You have to use the same color spare part with the original part for the replacement.

REF No.	CODE	QTY	DESCRIPTION	RECOMMEND	REMARK
1	LE6053001	4	RUBBER BUSH		
2	LE6198001	1	CARRIAGE ASSY		
2-1	LE6062001	2	HEAD CLAMP SPRING		
2-2	LE6715001	1	CARRIAGE PCB ASSY	1	
2-3	LE6911001	1	STOPPER PIN		added
3	LE6421001	1	WAVY WASHER		
4	LE6722001	2	ECCENTRIC BUSHING		
5	087320616	2	TAPTITE, CUP S M3X6		
6	0A5300605	4	SCREW, PAN (S/P WASHER) M3X6		
7	LE6074001	1	TIMING BELT		
8	LE6434001	1	CARRIAGE MOTOR		
9	LE6424001	1	IDLE PULLEY HOLDER ASSY		
10	087320616	1	TAPTITE, CUP S M3X6		
11	0A5300805	1	SCREW, PAN (S/P WASHER) M3X8		
12	UF9823001	2	SHOULDER SCREW		
13	LE3171001	1	PULLEY SPRING		
14	LE6078001	1	FLAT CABLE CLAMP		
15	LE6571001	1	CABLE CLAMP STOPPER FILM		
16	LE6152001	1	FFC CLAMP FILM		
17	LE6425001	1	ENCODER STRIP		
18	UD6012001	1	ENCODER STRIP SPRING		
19	LG3124001	1	INK EMPTY SENSOR PCB		
20	LE6081001	1	SENSOR SUPPORT		
21	LE6082001	1	PLATEN		
22	LE6385001	1	FLUSHING SPONGE		
23	085271015	2	TAPTITE, BIND B M2.6X10		
24	085311015	1	SCREW, BIND B TITE 3X10		
25	LE6430001	1	STAR WHEEL SUPPORT ASSY		
25-1	LE6504001	7	STAR WHEEL W		
25-2	LE6805001	8	STAR WHEEL B		
25-3	LE6107001	7	STAR WHEEL SPRING		
26	LE6874001	1	PRESSURE ROLLER HOLDER L ASSY		
26-1	LE6875001	1	PRESSURE HOLDER FILM A		
26-2	LE6876001	1	PRESSURE HOLDER FILM B		
26-3	LE6392001	1	PRESSURE HOLDER FILM C		
27	LE6877001	1	PRESSURE ROLLER HOLDER R ASSY		
27-1	LE6875001	1	PRESSURE HOLDER FILM A		
27-2	LE6876001	1	PRESSURE HOLDER FILM B		
27-3	LE6392001	1	PRESSURE HOLDER FILM C		
28	LE6878001	2	PRESSURE ROLLER HOLDER ASSY		
28-1	LE6875001	1	PRESSURE HOLDER FILM A		
28-2	LE6876001	1	PRESSURE HOLDER FILM B		
28-3	LE6392001	1	PRESSURE HOLDER FILM C		
29	LE6090001	4	PRESSURE ROLLER SPRING		
*30	LE6091003	1	PAPER FEED ROLLER ASSY, RED (INCLUDING PF BUSHING L)		
*30	LE6091004	1	PAPER FEED ROLLER ASSY, BLUE (INCLUDING PF BUSHING L)		
31	LE6093001	1	PF ROLLER GEAR R		
32	LE6121001	1	RETAINING RING, EXTERNAL C5		
33	LE6095001	1	PF BUSHING R		
34	LE6122001	1	RETAINING RING, EXTERNAL C8		
35	LE6096001	1	PAPER EJECTION ROLLER ASSY		
36	UU1290001	1	CONDUCTIVE BUSHING		
37	UF9949001	1	EJECTION ROLLER BUSHING		
38	LE6489001	1	PAPER FEED MOTOR ASSY		
39	LE6101001	1	PF ROLLER GEAR		
40	LE6103001	1	PAPER EJECTION ROLLER GEAR		
41	LE6104001	1	JOINT		
42	UF8034001	1	GEAR,39		
43	LE9268001	1	GEAR, 25M		
44	LE6109001	1	GEAR, 31 MF		
45	UF8105001	1	CONDUCTIVE BUSHING		
46	087320616	3	TAPTITE, CUP S M3X6		
47	LE6576001	1	GEAR HOLDER ASSY		
47-1	LE3432001	1	ASF ROLLER		
48	LE6002001	1	PURGE UNIT ASSY	1	
48-1	LG3083001	1	PURGE SWITCH ASSY		
48-2	LE6472001	1	PURGE FOAM		
49	087310815	3	TAPTITE, CUP B M3X8		
50	LE6134001	1	PAPER CHUTE		
51	LE6393001	1	CHUTE FILM L		
52	LE6394001	1	CHUTE FILM R		

## LIST2(ENGINE)

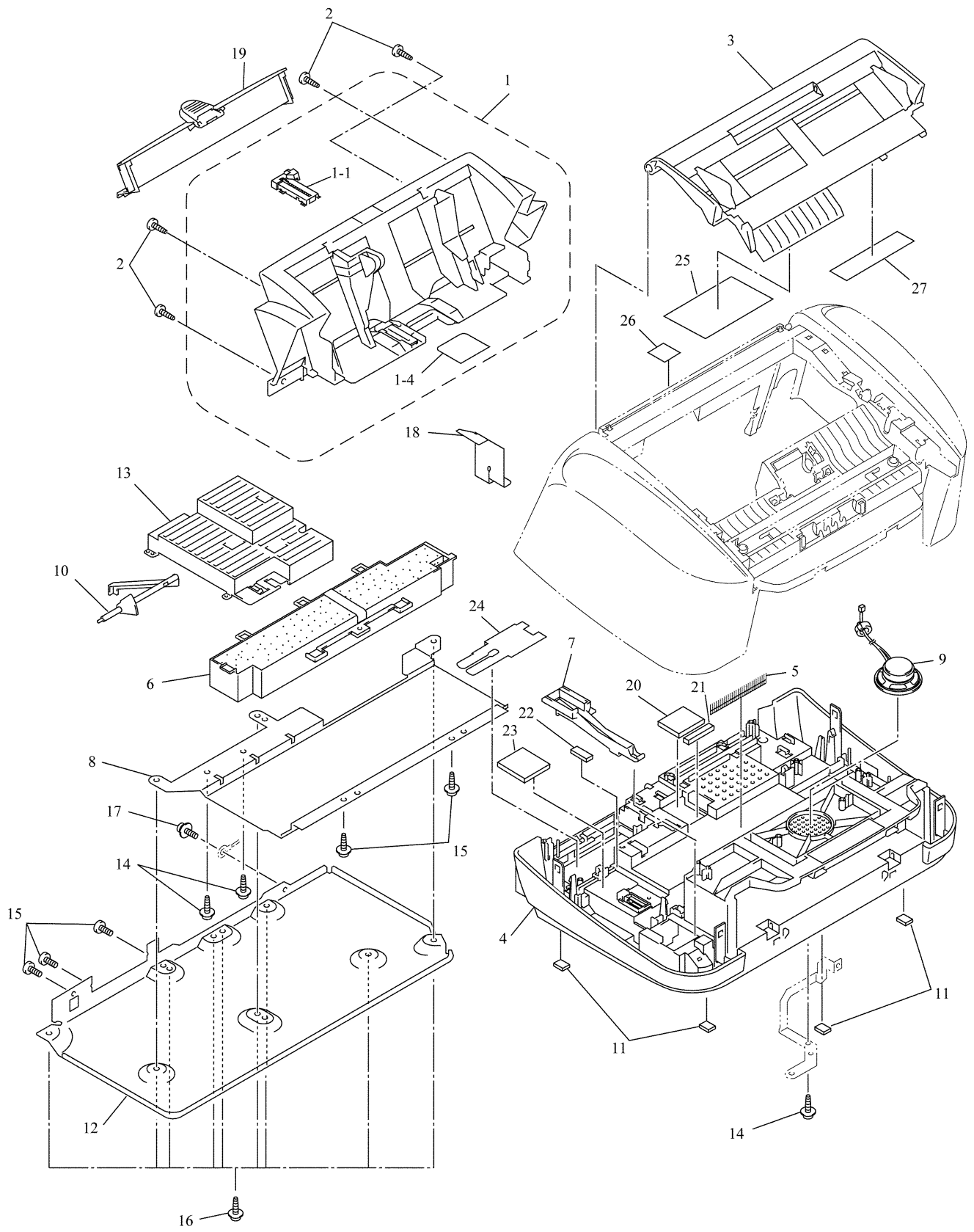
REF No.	CODE	Q'TY	DESCRIPTION	RECOMMEND	REMARK
54	LE6153001	1	TORSION SPRING 7.2X140		
55	LG2239001	1	REGISTRATION SENSOR		
56	LG3156001	1	REGISTRATION SENSOR HARNESS		
57	LE6356001	1	PF SPRING		
58	UG5577000	1	FLAT CORE		
59	LE6438001	1	FLAT CABLE GUIDE		
60	LE6440001	1	INK EMPTY SENSOR LIGHT BLOCK FILM		
61	LE6626001	1	SUPPORT SPRING		
62	0A5300805	2	SCREW, PAN (S/P WASHER) M3X6		
63	LE6863001	1	CHUTE FILM		<addition>
64	LE6376001	1	IDLE GEAR SPRING		<addition>
65	LE6857001	1	IDOL GEAR		<addition>
66	LE6858001	1	POLYSLIDER WASHER		<addition>





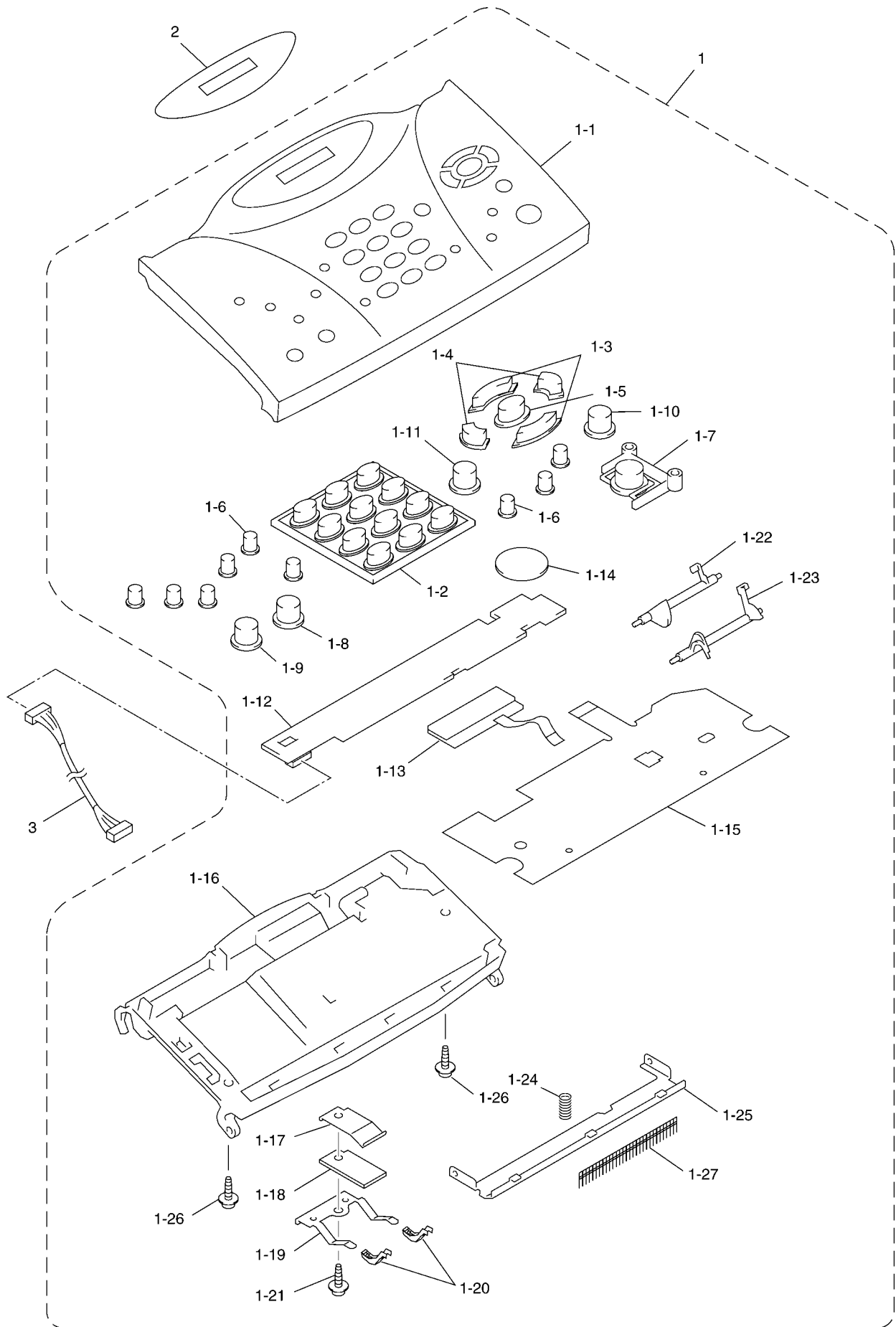
## LIST3(HEAD UNIT)

REF No.	CODE	QTY	DESCRIPTION	RECOMMEND	REMARK
1	LK0935001	1	PRINT HEAD (SP)	√	CHG
1-1	LK0516001	1	NOZZLE PROTECTOR SEALS(SP)	√	
1-2	LK0536001	1	HEAD FILTER SEALS(SP)	√	



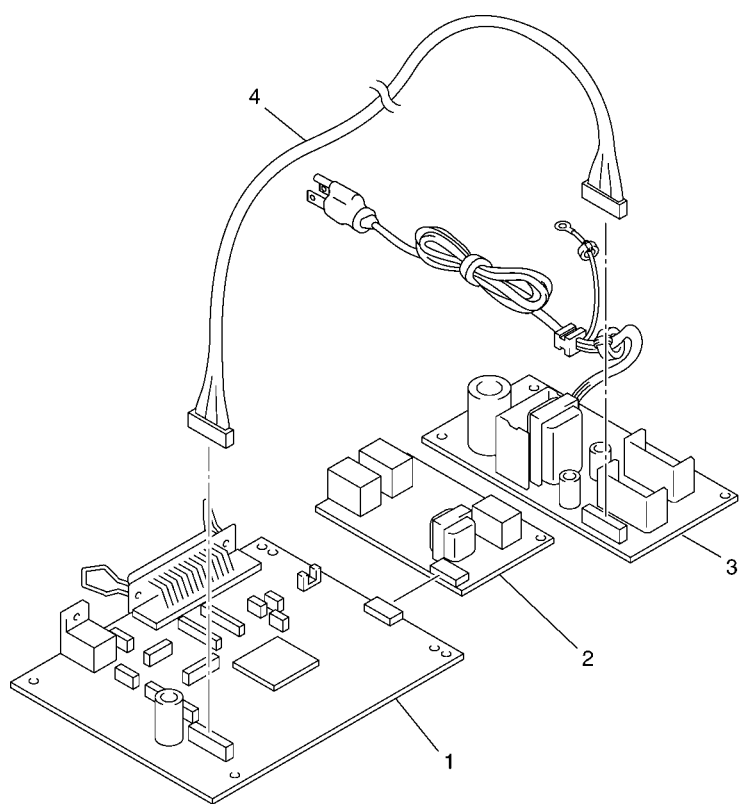
## LIST4(COVER)

REF No.	CODE	QTY	DESCRIPTION	RECOMMEND	REMARK
1	LE6135001	1	ACF ASSY, GRAY(1495)		
1-1	LE6903001	1	SEPARATION PAD ASSY		chg
1-2	LE3255004	4	SEPARATION PAD HOLDER		del
1-3	LE3434004	4	HOLDER CAP		del
1-4	LE6442001	1	ACF FILM		
1-5	LE6908004	4	GUIDE CAP		del
2	085411216	4	TAPTITE, BIND B M4X12		
3	LE6143001	1	TOP COVER ASSY, GRAY(1495)		
4	LE6671001	1	LOWER COVER		
5	LE6568001	1	ANTI-STATIC BRUSH		
6	LE6148001	1	INK ABSORBER BOX ASSY		
7	LE6463001	1	FLUSHING BOX ASSY		
8	LE6322001	1	BOTTOM SHIELD PLATE		
9	----		NOT USED		
10	LE6154001	1	PAPER WIDTH SENSOR ACTUATOR		
11	LE6185001	4	RUBBER FOOT		
12	LE6824001	1	BOTTOM PLATE		
13	LE6156001	1	ENCLOSURE COVER		
14	087320516	3	TAPTITE, CUP S M3X5		
15	002300616	3	SCREW, PAN M3X6		
16	087311216	11	TAPTITE, CUP B M3X12		
17	UF6559001	1	SCREW, PAN (WASHER) M4X8DB		
18	LE6813001	1	FENCE FILM		
19	LE6142001	1	JAM CLEAR COVER		
20	LE6553001	1	INK FENCE A		
21	LE6554001	1	INK FENCE B		
22	LE6555001	1	INK FENCE C		
23	LE6556001	1	INK FENCE D		
24	LE6557001	1	PCB COVER SHEET		
25	LE6160001	1	INK REPLACEMENT INSTRUCTION LABEL		
26	LE6525001	1	JAM MARK LABEL		
27	LE6649001	1	CONSUMABLE LABEL		
(28)	UU0456001	1	PROTECTION PAPER		
(29)	----		NOT USED		
(30)	----		NOT USED		
(31)	----		NOT USED		
(32)	----		NOT USED		
(33)	UF5745000	1	MJ COVER, EXT FOR GER/UK/FRA/BEL/DEN/AUS/ITA		CHG



## LIST5(CONTROL PANEL)

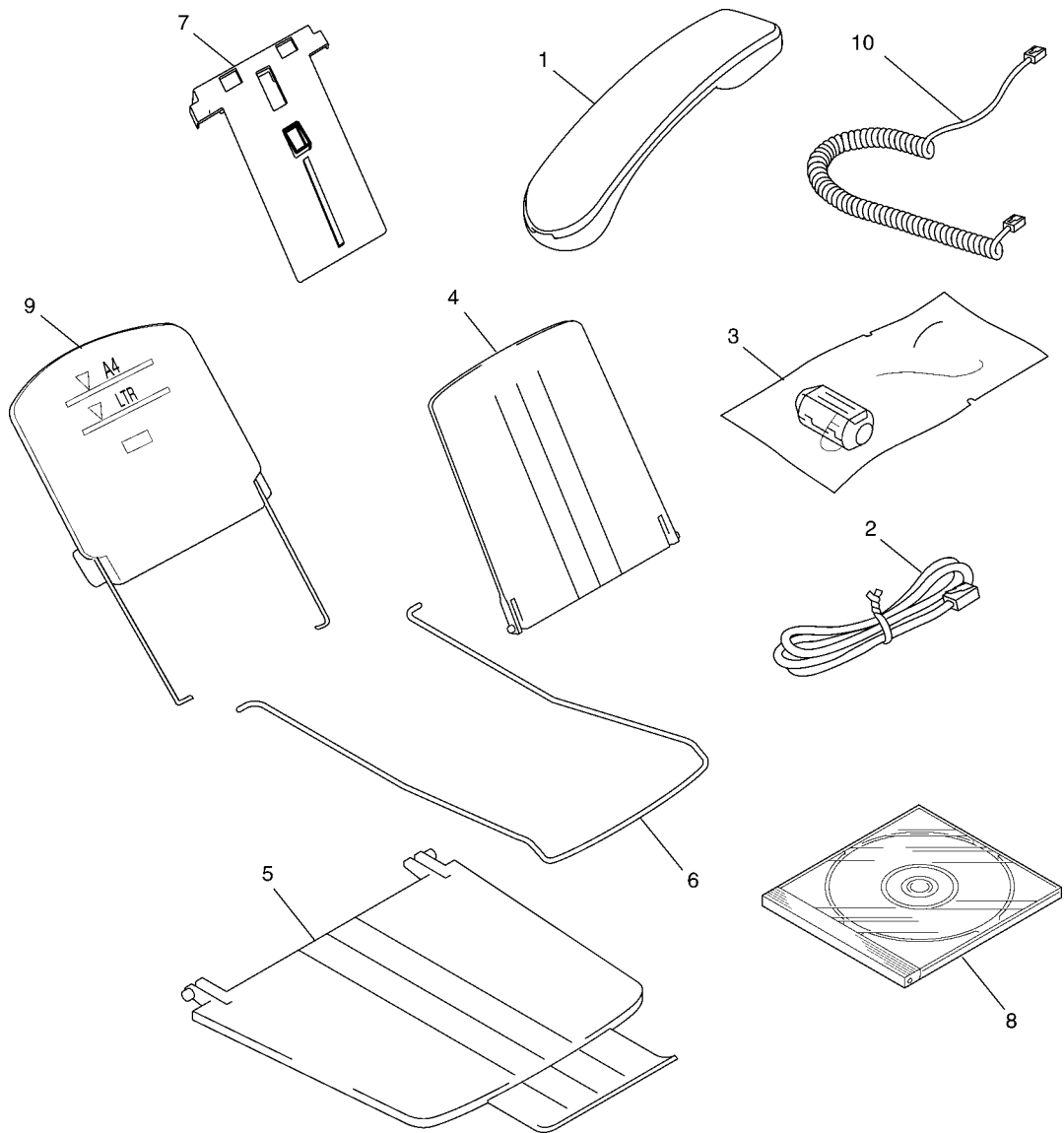
REF No.	CODE	QTY	DESCRIPTION	RECOMMEND	REMARK
1	LE6346001	1	CONTROL PANEL ASSY, MFC580 FOR GER/AUS	1	
1	LE6338001	1	CONTROL PANEL ASSY, MFC580 FOR UK/BEL/CHE/IRE/GNR	1	
1	LE6348001	1	CONTROL PANEL ASSY, MFC580 FOR FRA	1	
1	LE6781001	1	CONTROL PANEL ASSY, MFC580 FOR NLD	1	
1	LE6788001	1	CONTROL PANEL ASSY, MFC580 FOR DEN/NOR	1	
1	LE6793001	1	CONTROL PANEL ASSY, MFC580 FOR SPA	1	
1	LE6797001	1	CONTROL PANEL ASSY, MFC580 FOR ITA	1	
1-1	LE6347001	1	CONTROL PANEL, MFC580 FOR GER/AUS		
1-1	LE6339001	1	CONTROL PANEL, MFC580 FOR UK		
1-1	LE6349001	1	CONTROL PANEL, MFC580 FOR FRA		
1-1	LE6782001	1	CONTROL PANEL, MFC580 FOR NLD		
1-1	LE6789001	1	CONTROL PANEL, MFC580 FOR DEN/NOR		
1-1	LE6794001	1	CONTROL PANEL, MFC580 FOR SPA		
1-1	LE6798001	1	CONTROL PANEL, MFC580 FOR ITA		
1-2	LE4073003	1	KEY, TEN, GRAY(1495)		
1-3	LE6168001	2	KEY, CURSOR L, PURPLE(6255)		
1-4	LE6169001	2	KEY, CURSOR S, PURPLE(6255)		
1-5	LE6350001	1	KEY, MENU, MFC580 FOR GER/AUS		
1-5	LE6079001	1	KEY, MENU, MFC580 FOR UK/FRA/BEL/NLD/CHE/IRE/DEN/SPA/ITA/GNR/NOR		
1-6	LE3295001	9	KEY, CYLINDER 6, GRAY(1495), MFC580 FOR GER		
1-7	LE9228003	1	KEY, BLACK FAX START, GRAY(1496)		
1-8	LE6171005	1	KEY, BLACK COPY, GRAY(1496)		
1-9	LE6171002	1	KEY, COLOR COPY, GREEN(5159)		
1-10	LE6171003	1	KEY, COLOR FAX START, PURPLE(6255)		
1-11	LE6171004	1	KEY, STOP, PINK(2205)		
1-12	LG3127001	1	CONTROL PANEL PCB ASSY, MFC580		
1-13	LG2567001	1	LCD		
1-14	UG3803000	1	PIEZO RINGER		
1-15	LG3258001	1	FPC KEY		
1-16	LE6174001	1	PANEL REAR COVER		
1-17	LE3330001	1	ADF SPRING PLATE B		
1-18	LE3299001	1	SEPARATION RUBBER		
1-19	LE3300001	1	ADF SPRING PLATE A		
1-20	LE3323001	2	ADF GUIDE CAP		
1-21	UF5034001	1	TAPTITE, B 3X6		
1-22	LE6176001	1	DOCUMENT FRONT SENSOR ACTUATOR		
1-23	LE6177001	1	DOCUMENT REAR SENSOR ACTUATOR		
1-24	UU2057001	1	DOCUMENT PRESSURE BAR SPRING		
1-25	LE6652001	1	DOCUMENT PRESSURE BAR		
1-26	087310815	2	TAPTITE, CUP B M3X8		
1-27	LE1071001	1	ANTI-STATIC BRUSH		
2	LE6340001	1	LCD SHEET, MFC580	1	
3	LG3135001	1	PANEL-MAIN HARNESS		



## LIST6(PCB)

REF No.	CODE	QTY	DESCRIPTION	RECOMMEND	REMARK
1	LG3577021	1	MAIN PCB ASSY, MFC580	1	
2	LG4207004	1	NCU PCB ASSY, MFC580	1	
3	LG3666001	1	POWER SUPPLY PCB ASSY	1	
4	LG3154001	1	POWER SUPPLY HARNESS		





## LIST7(Accessories)

REF No.	CODE	Q'TY	DESCRIPTION	RECOMMEND	REMARK
1	----		NOT USED		
2	UG3625001	1	TELEPHONE LINE CORD FOR GER		
2	UG3626001	1	TELEPHONE LINE CORD FOR UK		
2	UG3627001	1	TELEPHONE LINE CORD FOR FRA		
2	UG1575001	1	TELEPHONE LINE CORD FOR BEL		
2	LG3077001	1	TELEPHONE LINE CORD FOR NLD/IRE/SPA/GNR		
2	UG3469000	1	TELEPHONE LINE CORD FOR CHE		
2	UG3633001	1	TELEPHONE LINE CORD FOR DEN		CHG
2	UG4205001	1	TELEPHONE LINE CORD FOR AUS		
2	UG3634001	1	TELEPHONE LINE CORD FOR ITA		
2	UG3629001	1	TELEPHONE LINE CORD FOR NOR (NORWAY)		
2	UG3635001	1	TELEPHONE LINE CORD FOR NOR (SWEDEN)		
2	UG3632001	1	TELEPHONE LINE CORD FOR NOR (FINLAND)		
3	LE7699001	1	FERRITE CORE ASSY FOR GER/UK/IRE/AUS/GNR		
3	LE3602001	1	FERRITE CORE ASSY (INCL. 2 PCS) FOR FRA/BEL/NLD/CHE/DEN/SPA/ITA/NOR		
4	LE6396001	1	DOCUMENT SET TRAY ASSY, GRAY(1495)		
5	LE6398001	1	PAPER EJECT TRAY ASSY, GRAY(1495)		
6	LE3305001	1	DOCUMENT EJECTION WIRE		
7	LE6808001	1	SP ATTACHMENT BAG ASSY		
8	LE6674001	1	CD-ROM ASSY<GERMAN/ENGLISH/FRENCH>, MFC580 FOR GER/UK/FRA/BEL/CHE/IRE/AUS		
8	LE6702001	1	CD-ROM ASSY<DUTCH/FRENCH/ITALIAN/SPANISH>, MFC580 FOR BEL/NLD/SPA/ITA		
8	LE6705001	1	CD-ROM ASSY <ENGLISH/NORWEGIAN/DANISH/SWEDISH>, MFC580 FOR DEN/GNR/NOR		
9	LE6823001	1	TRAY EXTENSION (W/ PAPER SUPPORT)		
10	----		NOT USED		
(11)	LK0504001	1	GLYCEROL CLEANING FLUID (INCLUDING 120CC FLUID IN A BOTTLE AND SYRINGE)	√	
(12)	LK0505001	1	INITIAL LIQUID CARTRIDGE ASSY(SP) (INCLUDING 4 CARTRIDGES)	√	
(13)	ZA0310001	1	HEAD CLEANER STICK ASSY(SP)	√	
(14)	LE6455001	1	FOAM EMPTY CARTRIDGE (FOR INK EMPTY SENSOR COMPENSATION)	√	
(15)	UF9258001	1	COLOR TEST CHART CTC-001		
16	LG2085001	1	AC CORD ASSY FOR GER/FRA/BEL/NLD/AUS/SPA/ITA/GNR/NOR (VDE)	√	
16	LG2086001	1	1AC CORD ASSY FOR UK/IRA (BS)	√	
16	LG2087001	1	1AC CORD ASSY FOR CHE (SEV)	√	
16	LG2181001	1	1AC CORD ASSY FOR DEN (DEMCO)	√	
(17)	LG3622001	1	TELEPHONE PLUG FOR NLD		
(17)	<del>LG4566001</del>	4	<del>TELEPHONE PLUG FOR DEN</del>		DEL
(18)	UG4558001	1	I/F CABLE FOR GER/UK/IRE/AUS/GNR		
(19)	LE6912001	1	CD-ROM ASSY XP FOR GER/UK/FRA/CHE/IRE/AUS		add
(19)	LE6913001	1	CD-ROM ASSY XP FOR BEL/NLD/SPA/ITA		add
(19)	LE6014001	1	CD-ROM ASSY XP FOR DEN/GNR/NOR		add

## LIST8(PRINTED MATERIAL)

REF No.	CODE	QTY	DESCRIPTION	RECOMMEND	REMARK
(1)	LE6845003	1	OWNER'S MANUAL ASSY, MFC580 FOR GER/AUS (INCLUDING OWNER'S MANUAL(REF.No.(1-1), WARRANTY CARD, LICENSE AGREEMENT SHEET, TRAY EXTENSION(REF.No.7-9), WINXP INSERTION)	1	
(1)	LE6846004	1	OWNER'S MANUAL ASSY, MFC580 FOR UK (INCLUDING OWNER'S MANUAL(REF.No.(1-1), 3 WARRANTY CARDS, LICENSE AGREEMENT SHEET, TRAY EXTENSION(REF.No.7-9), WINXP INSERTION)	1	
(1)	LE6847005	1	OWNER'S MANUAL ASSY, MFC580 FOR FRA (INCLUDING OWNER'S MANUAL(REF.No.(1-1), 2 WARRANTY CARDS, LICENSE AGREEMENT SHEET, TRAY EXTENSION(REF.No.7-9), WINXP INSERTION)	1	
(1)	LE6848008	1	OWNER'S MANUAL ASSY, MFC580 FOR BEL (INCLUDING 2 OWNER'S MANUALS(REF.No.(1-1), WARRANTY CARD, LICENSE AGREEMENT SHEET, TRAY EXTENSION(REF.No.7-9), WINXP INSERTION)	1	
(1)	LE6849009	1	OWNER'S MANUAL ASSY, MFC580 FOR NLD (INCLUDING OWNER'S MANUAL(REF.No.(1-1), WARRANTY CARD, LICENSE AGREEMENT SHEET, TRAY EXTENSION(REF.No.7-9), WINXP INSERTION)	1	
(1)	LE6850010	1	OWNER'S MANUAL ASSY, MFC580 FOR CHE (INCLUDING 2 OWNER'S MANUALS(REF.No.(1-1), WARRANTY CARD, LICENSE AGREEMENT SHEET, TRAY EXTENSION(REF.No.7-9), WINXP INSERTION)	1	
(1)	LE6851011	1	OWNER'S MANUAL ASSY, MFC580 FOR IRE/NOR (INCLUDING OWNER'S MANUAL(REF.No.(1-1), WARRANTY CARD, LICENSE AGREEMENT SHEET, TRAY EXTENSION(REF.No.7-9), WINXP INSERTION)	1	
(1)	LE6852013	1	OWNER'S MANUAL ASSY, MFC580 FOR DEN (INCLUDING OWNER'S MANUAL(REF.No.(1-1), WARRANTY CARD, LICENSE AGREEMENT SHEET, TRAY EXTENSION(REF.No.7-9), WINXP INSERTION)	1	changed
(1)	LE6853015	1	OWNER'S MANUAL ASSY, MFC580 FOR SPA (INCLUDING WARRANTY CARD, LICENSE AGREEMENT SHEET, TRAY EXTENSION(REF.No.7-9), WINXP INSERTION)	1	
(1)	LE6854016	1	OWNER'S MANUAL ASSY, MFC580 FOR ITA (INCLUDING OWNER'S MANUAL(REF.No.(1-1), WARRANTY CARD, LICENSE AGREEMENT SHEET, TRAY EXTENSION(REF.No.7-9), WINXP INSERTION)	1	
(1)	LE6855054	1	OWNER'S MANUAL ASSY, MFC580 FOR GNR (INCLUDING OWNER'S MANUAL(REF.No.(1-1), WARRANTY CARD, LICENSE AGREEMENT SHEET, TRAY EXTENSION(REF.No.7-9), WINXP INSERTION)	1	
(1-1)	LE6528003	1	OWNER'S MANUAL, MFC580 FOR GER/AUS		
(1-1)	LE6528004	1	OWNER'S MANUAL, MFC580 FOR UK/IRE/GNR/NOR		
(1-1)	LE6528005	1	OWNER'S MANUAL, MFC580 FOR FRA		
(1-1)	LE6528008	1	OWNER'S MANUAL, MFC580 FOR BEL <DUTCH>		
(1-1)	LE6776008	1	OWNER'S MANUAL, MFC580 FOR BEL/CHE <FRENCH>		
(1-1)	LE6528009	1	OWNER'S MANUAL, MFC580 FOR NLD		
(1-1)	LE6528010	1	OWNER'S MANUAL, MFC580 FOR CHE <GERMAN>		
(1-1)	LE6528004	1	OWNER'S MANUAL, MFC580 FOR DEN		added
(1-1)	LE6528015	1	OWNER'S MANUAL, MFC580 FOR SPA		
(1-1)	LE6528016	1	OWNER'S MANUAL, MFC580 FOR ITA		

## LIST9(PACKING)

REF No.	CODE	QTY	DESCRIPTION	RECOMMEND	REMARK
(1)	LE6678001	1	CARTON, BROTHER, MFC580	1	
(2)	LE6871001	1	POLYSTYRENE FOAM ASSY		
(3)	LE3605001	1	BAG, 800X900H		
(4)	LE6195001	1	CARTON, FOR OPTION		
(5)	LE6680001	1	START CARD, MFC580 FOR GER/AUS		
(5)	LE6719001	1	START CARD, MFC580 FOR UK/IRE		
(5)	LE6725001	1	START CARD, MFC580 FOR FRA		
(5)	LE6774001	1	START CARD, MFC580 FOR BEL/CHE <FRENCH>		
(5)	LE6775001	1	START CARD, MFC580 FOR BEL <DUTCH>		
(5)	LE6765001	1	START CARD, MFC580 FOR NLD		
(5)	LE6772001	1	START CARD, MFC580 FOR CHE <GERMAN>		
(5)	LE6766001	1	START CARD, MFC580 FOR DEN/NOR <DANISH>		CHG
(5)	LE6767001	1	START CARD, MFC580 FOR SPA		
(5)	LE6768001	1	START CARD, MFC580 FOR ITA		
(5)	LE6558001	1	START CARD, MFC580 FOR GNR		
(5)	LE6773001	1	START CARD, MFC580 FOR NOR <ENGLISH>		
(5)	LE6769001	1	START CARD, MFC580 FOR NOR <NORWEGIAN>		
(5)	LE6770001	1	START CARD, MFC580 FOR NOR <SWEDISH>		
(5)	LE6771001	1	START CARD, MFC580 FOR NOR <FINNISH>		
(6)	LE6476001	1	CARRIAGE RETAINER		
(7)	LE8254001	1	QUICK SET UP GUIDE XP FOR GER/CHE/AUS <GERMAN>		chg
(7)	LE8252001	1	QUICK SET UP GUIDE XP FOR UK/IRE/GNR/NOR <ENGLISH>		chg
(7)	LE8253001	1	QUICK SET UP GUIDE XP FOR FRA/BEL/CHE <FRENCH>		chg
(7)	LE8255001	1	QUICK SET UP GUIDE XP FOR BEL/NLD <DUTCH>		chg
(7)	LE8260001	1	QUICK SET UP GUIDE XP FOR DEN/NOR <DANISH>		CHG
(7)	LE8257001	1	QUICK SET UP GUIDE XP FOR SPA		chg
(7)	LE8256001	1	QUICK SET UP GUIDE XP FOR ITA		chg
(7)	LE8258001	1	QUICK SET UP GUIDE XP FOR NOR <NORWEGIAN>		ADD
(7)	LE8259001	1	QUICK SET UP GUIDE XP FOR NOR <SEWDISH>		ADD
(7)	LE8261001	1	QUICK SET UP GUIDE XP FOR NOR <FINNISH>		ADD

**brother**®

8XA431  
PL-FAX018  
Ver. Q-1